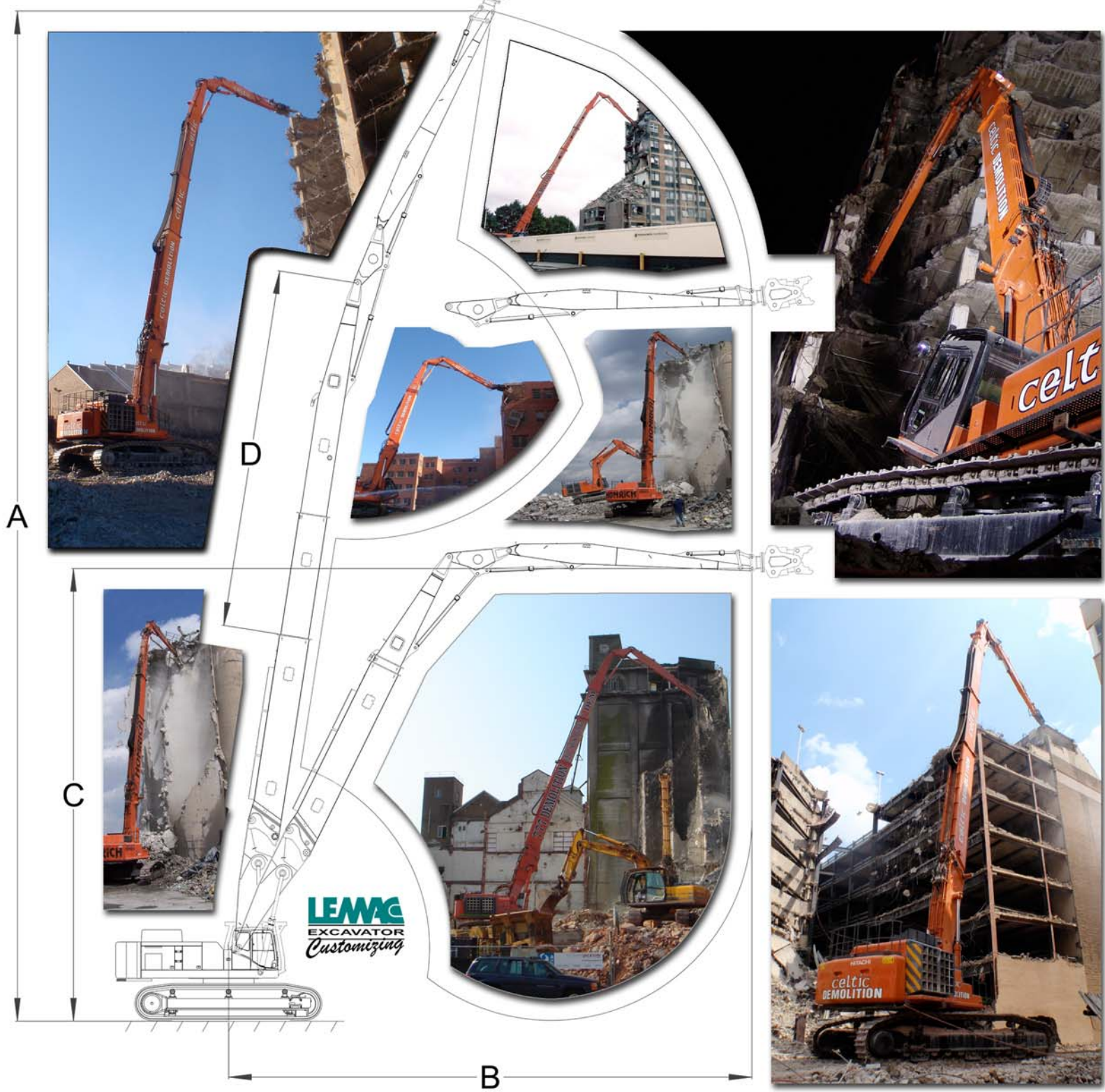


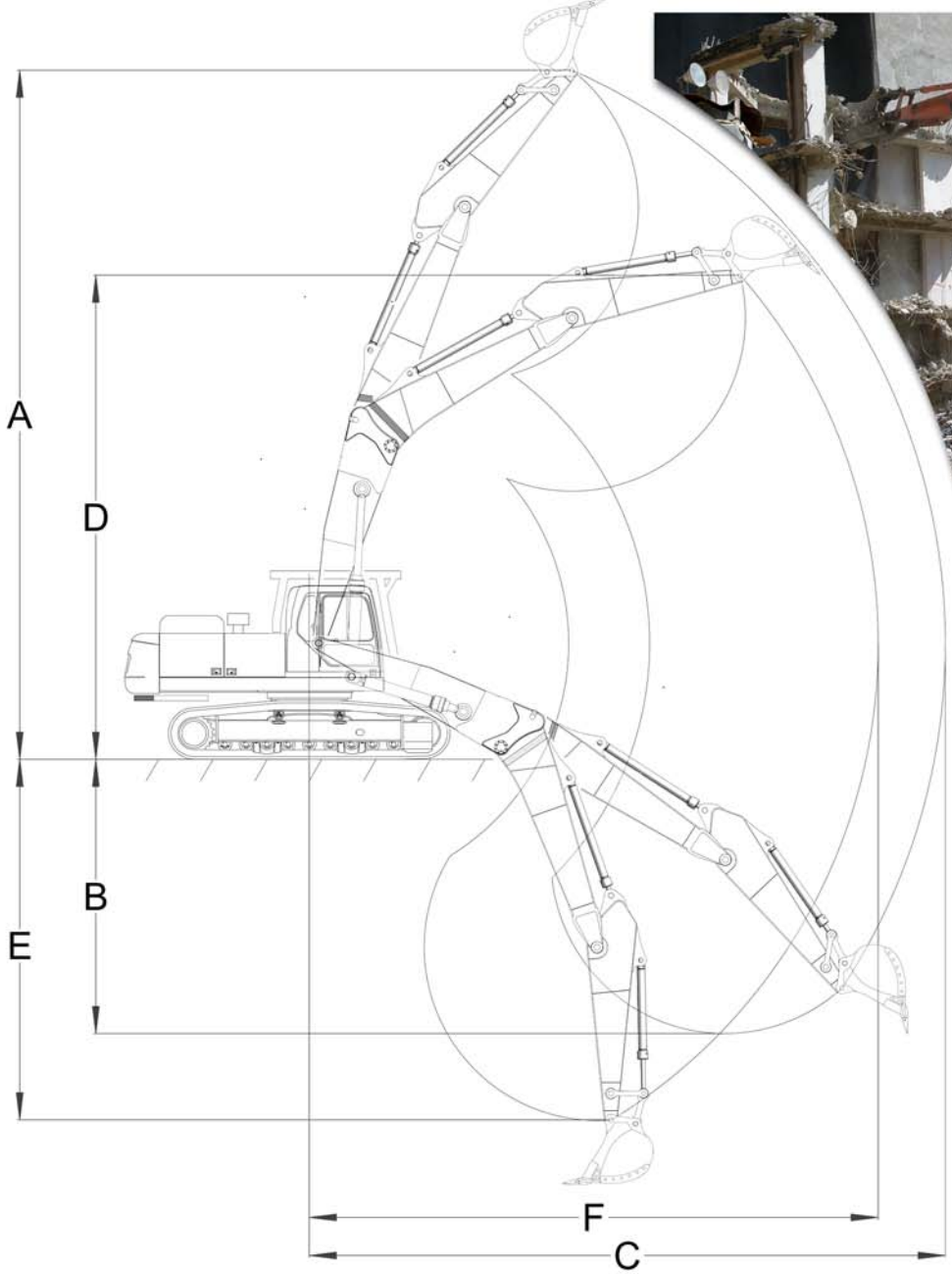
# TELESCOPIC ULTRA HIGH REACH DEMOLITION



TELESCOPIC ULTRA HIGH REACH DEMOLITION - TYPICAL WORKING RANGE					
BASE MACHINE WEIGHT		<i>mt</i>	65	80	120
		<i>1,000 lb</i>	143	176	265
MAX. WORKING PIN HEIGHT	A	<i>m</i>	35	40	50
		<i>ft</i>	115	131	164
MAX. FORWARD REACH	B	<i>m</i>	17	20	25
		<i>ft</i>	56	66	82
WORKING PIN HEIGHT (BOOM RETRACTED)	C	<i>m</i>	19	21	24
		<i>ft</i>	62	69	79
TELESCOPIC SECTION	D	<i>m</i>	5 - 9	5 - 14	6 - 22
		<i>ft</i>	16 - 31	18 - 47	18 - 71
MAX. ATTACHMENT WEIGHT		<i>kg</i>	2,500	2,500	2,500
		<i>lb</i>	5,512	5,512	5,512



These values are for reference only! We pride ourselves on the ability to develop solutions to meet individual customers requirements.

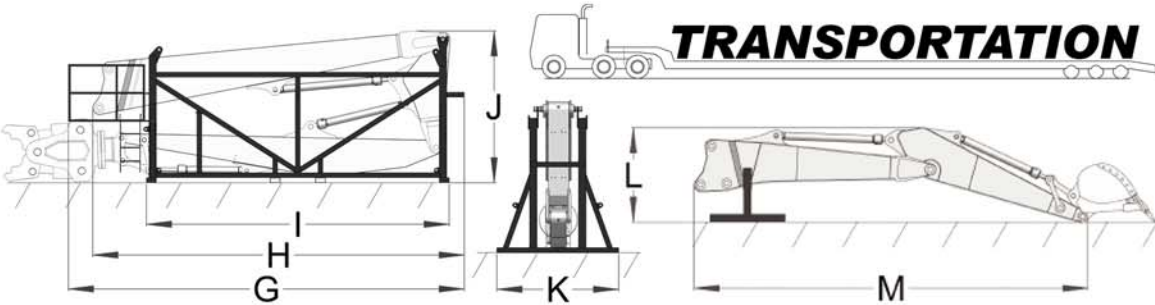
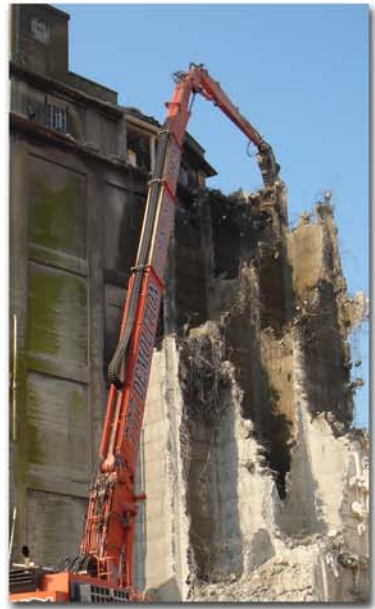


TELESCOPIC ULTRA HIGH REACH DEMOLITION - TWO POSITION BOOM - TYPICAL WORKING RANGE											
BASE MACHINE WEIGHT			<table border="1"> <tr><td>mt</td><td>65</td><td>80</td><td>120</td></tr> <tr><td>1,000 lbs</td><td>143</td><td>176</td><td>265</td></tr> </table>	mt	65	80	120	1,000 lbs	143	176	265
mt	65	80	120								
1,000 lbs	143	176	265								
SIZE OF DIPPER USED FOR ENVELOPE CALCULATION			<table border="1"> <tr><td>m</td><td>3.40</td><td>3.60</td><td>3.40</td></tr> <tr><td>ft</td><td>11.15</td><td>11.81</td><td>11.15</td></tr> </table>	m	3.40	3.60	3.40	ft	11.15	11.81	11.15
m	3.40	3.60	3.40								
ft	11.15	11.81	11.15								
STRAIGHT BOOM CONFIGURATION	MAX. PIN HEIGHT	A	<table border="1"> <tr><td>m</td><td>13.76</td><td>15.85</td><td>-*1</td></tr> <tr><td>ft</td><td>45.14</td><td>52.00</td><td>-*1</td></tr> </table>	m	13.76	15.85	-*1	ft	45.14	52.00	-*1
	m	13.76	15.85	-*1							
	ft	45.14	52.00	-*1							
MAX. PIN DEPTH	B	<table border="1"> <tr><td>m</td><td>4.94</td><td>4.93</td><td>-*1</td></tr> <tr><td>ft</td><td>16.21</td><td>16.17</td><td>-*1</td></tr> </table>	m	4.94	4.93	-*1	ft	16.21	16.17	-*1	
m	4.94	4.93	-*1								
ft	16.21	16.17	-*1								
MAX. FORWARD REACH	C	<table border="1"> <tr><td>m</td><td>12.47</td><td>14.17</td><td>-*1</td></tr> <tr><td>ft</td><td>40.91</td><td>46.49</td><td>-*1</td></tr> </table>	m	12.47	14.17	-*1	ft	40.91	46.49	-*1	
m	12.47	14.17	-*1								
ft	40.91	46.49	-*1								
BACKHOE BOOM CONFIGURATION	MAX. PIN HEIGHT	D	<table border="1"> <tr><td>m</td><td>9.62</td><td>11.44</td><td>10.80</td></tr> <tr><td>ft</td><td>31.56</td><td>37.53</td><td>35.43</td></tr> </table>	m	9.62	11.44	10.80	ft	31.56	37.53	35.43
	m	9.62	11.44	10.80							
	ft	31.56	37.53	35.43							
MAX. PIN DEPTH	E	<table border="1"> <tr><td>m</td><td>6.53</td><td>6.87</td><td>5.95</td></tr> <tr><td>ft</td><td>21.42</td><td>22.54</td><td>19.52</td></tr> </table>	m	6.53	6.87	5.95	ft	21.42	22.54	19.52	
m	6.53	6.87	5.95								
ft	21.42	22.54	19.52								
MAX. FORWARD REACH	F	<table border="1"> <tr><td>m</td><td>10.76</td><td>12.51</td><td>12.01</td></tr> <tr><td>ft</td><td>35.30</td><td>41.04</td><td>39.40</td></tr> </table>	m	10.76	12.51	12.01	ft	35.30	41.04	39.40	
m	10.76	12.51	12.01								
ft	35.30	41.04	39.40								



These values are for reference only! We pride ourselves on the ability to develop solutions to meet individual customers requirements.





TELESCOPIC ULTRA HIGH REACH DEMOLITION - TRANSPORT DIMENSIONS						
DEMOLITION EQUIPMENT IN CRADLE	OVERALL LENGTH	G	m	13.60	13.60	-*2
			ft	44.62	44.62	-*2
	LENGTH WITHOUT ACCESS CAGE	H	m	13.06	13.53	-*2
			ft	42.85	44.39	-*2
	CRADLE BASE LENGTH	I	m	9.16	9.16	-*2
			ft	30.05	30.05	-*2
STANDARD EQUIPMENT	OVERALL HEIGHT	J	m	3.30	3.30	-*2
			ft	10.83	10.83	-*2
	OVERALL WIDTH	K	m	2.42	2.42	-*2
			ft	7.94	7.94	-*2
	WEIGHT (WITHOUT ATTACHMENT)		kg	13,100	15,600	-*2
			lb	28,881	34,392	-*2
	OVERALL HEIGHT	L	m	2.48	2.30	3.10
			ft	8.14	7.55	10.17
	OVERALL LENGTH	M	m	8.06	9.18	8.42
			ft	26.44	30.12	27.62
	WEIGHT (WITHOUT ATTACHMENT)		kg	8,800	9,100	13,500
			lb	19,400	20,062	29,762

These values are for reference only! We pride ourselves on the ability to develop solutions to meet individual customers requirements.



UK / EUROPE

Email: [uksales@lemaconline.com](mailto:uksales@lemaconline.com)  
Phone: +44 (0) 1259-751573

Website: [www.LemacOnline.com](http://www.LemacOnline.com)



US / CANADA

Email: [sales@lemaconline.com](mailto:sales@lemaconline.com)  
Phone: 1 (804) 862-8481

**Distributed By:**

(Attach Business Card Here)