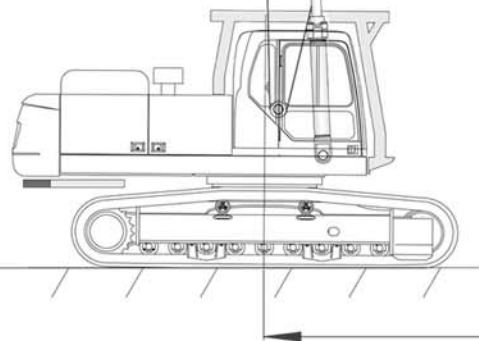


HIGH-REACH DEMOLITION

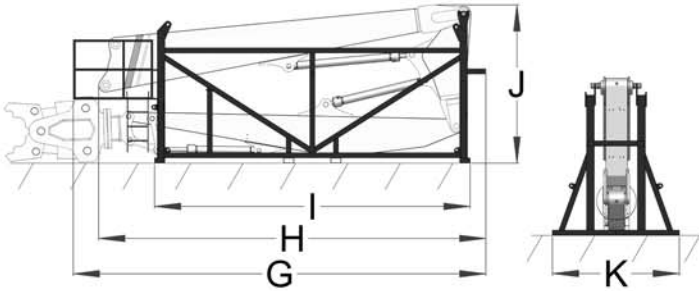


LEMAC
EXCAVATOR
Customizing

HIGH REACH DEMOLITION TYPICAL WORKING RANGES

		mt	29-30	35-36	45-46	65
BASE MACHINE WEIGHT		1,000 lbs	64-66	78-80	100-102	144
MAX. WORKING PIN HEIGHT	A	m	17	20	26	30
		ft	55.77	65.62	85.3	98.43
MAX. FORWARD REACH	B	m	10	11	14	16
		ft	32.81	36.09	45.93	52.49
MAX. ATTACHMENT WEIGHT		kg	2,200	2,500	2,500	2,500
		lb	4,850	5,512	5,512	5,512

These values are for reference only! We pride ourselves on the ability to develop solutions to meet individual customers requirements.



TRANSPORT DIMENSIONS - DEMOLITION EQUIPMENT IN CRADLE

OVERALL LENGTH	G	m	6.86	7.71	10.76	13.6
		ft	22.51	25.3	35.3	44.62
LENGTH WITHOUT ACCESS CAGE	H	m	5.97	7.29	10.4	12.61
		ft	19.59	23.92	34.12	41.37
CRADLE BASE LENGTH	I	m	5.21	5.96	7.5	9.16
		ft	17.09	19.55	24.61	30.05
OVERALL HEIGHT	J	m	2.95	3.1	3.1	3.11
		ft	9.68	10.17	10.17	10.2
OVERALL WIDTH	K	m	2.42	2.42	2.42	2.42
		ft	7.94	7.94	7.94	7.94
WEIGHT (WITHOUT ATTACHMENT)		kg	9,000	10,000	12,000	15,000
		lb	19,842	22,046	26,455	33,069

These values are for reference only! We pride ourselves on the ability to develop solutions to meet individual customers requirements.



UK / EUROPE

Email: uksales@jemaonline.com
Phone: +44 (0) 1259-751573

Website: www.LemacOnline.com



US / CANADA

Email: sales@jemaonline.com
Phone: 1 (804) 862-8481

Distributed By:

(Attach Business Card Here)